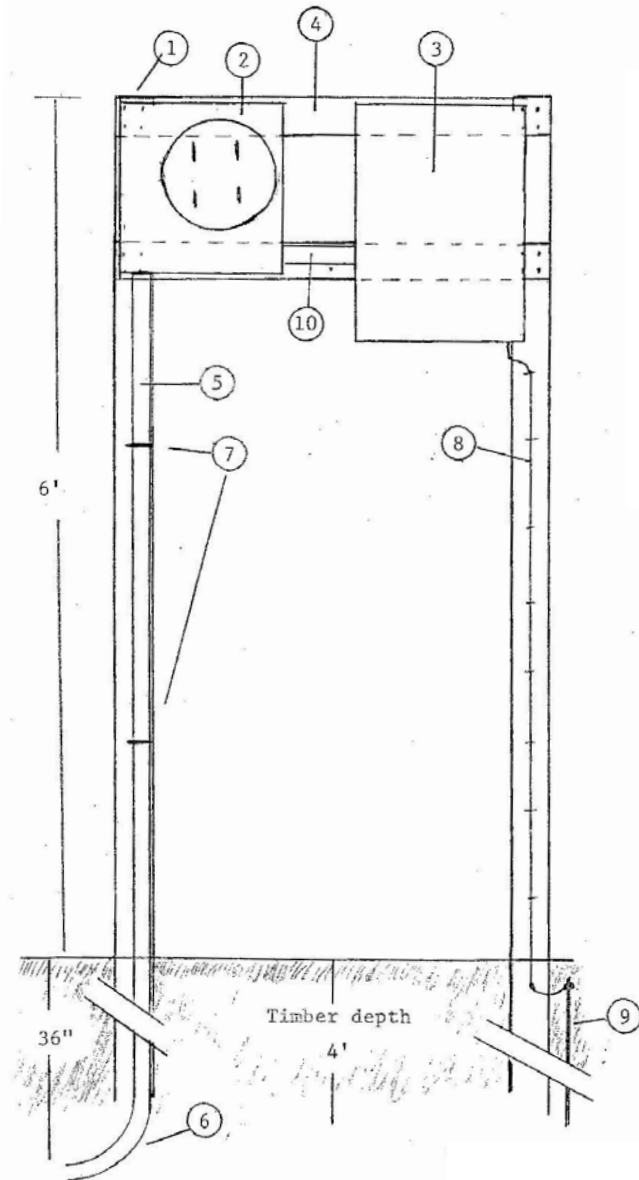




Your Touchstone Energy®
Cooperative 

936-544-5641

UNDERGROUND RACK TO REPLACE METER POLE



List of materials:

1. 6X6" Treated Timber (2)
2. Underground Meter Base
3. Main Disconnect (weatherproof)
4. 2X6" Treated Lumber (2)
5. 2 ½" Electrical grade PVC
6. 2 ½" Electrical grade Long 90°
7. 2 ½" PVC Straps (2)
8. #4 Solid copper ground wire
9. 8' ground rod with clamp
10. Galvanized metal nipple with lock rings.